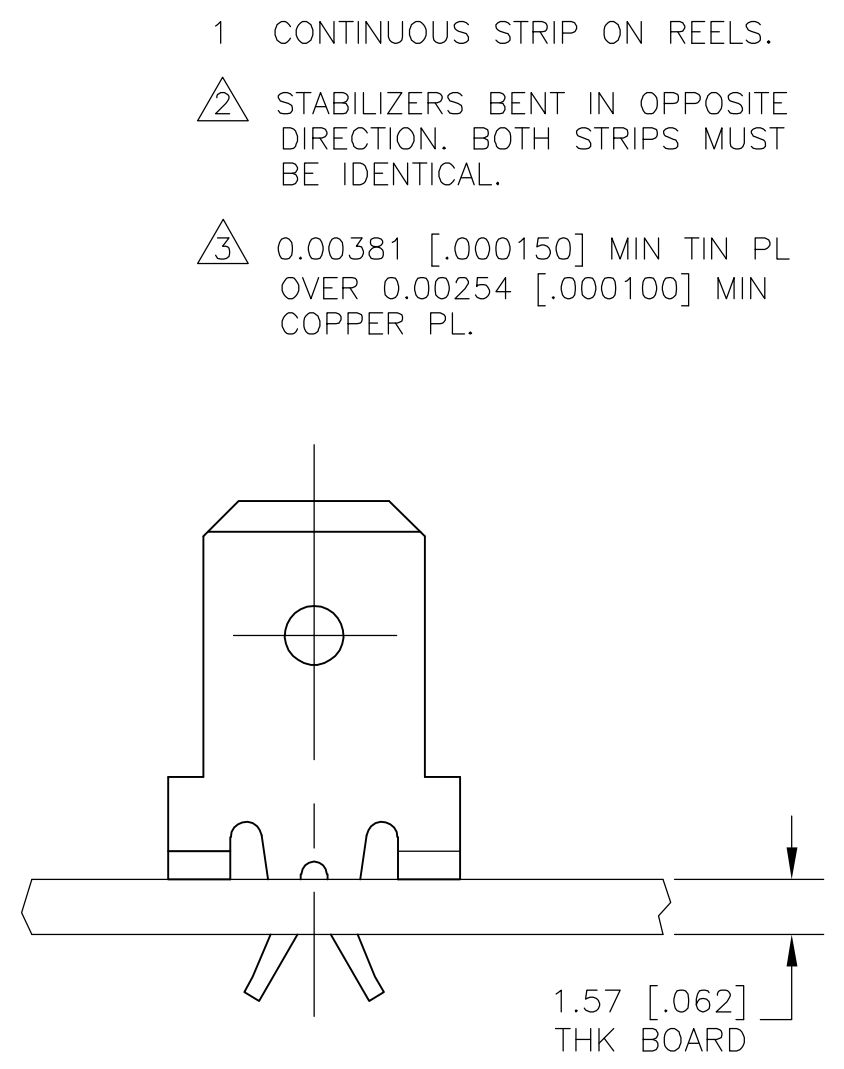
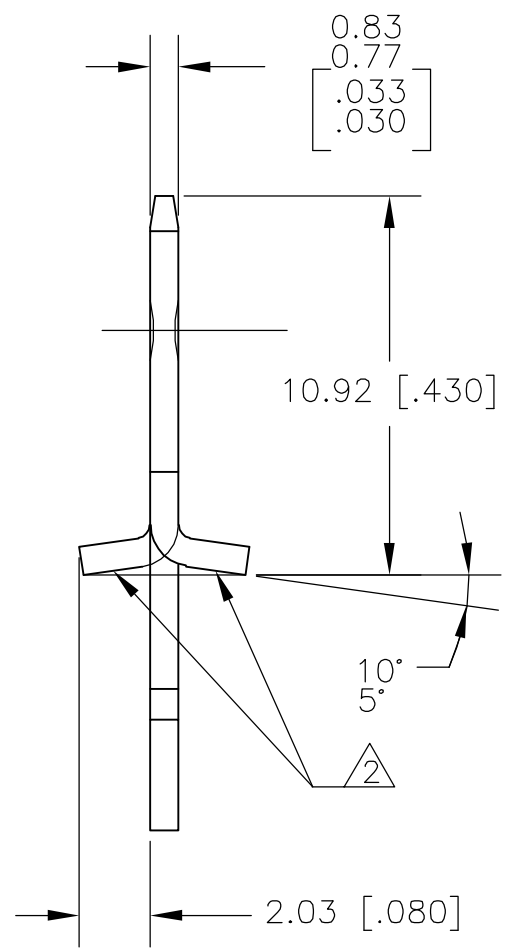
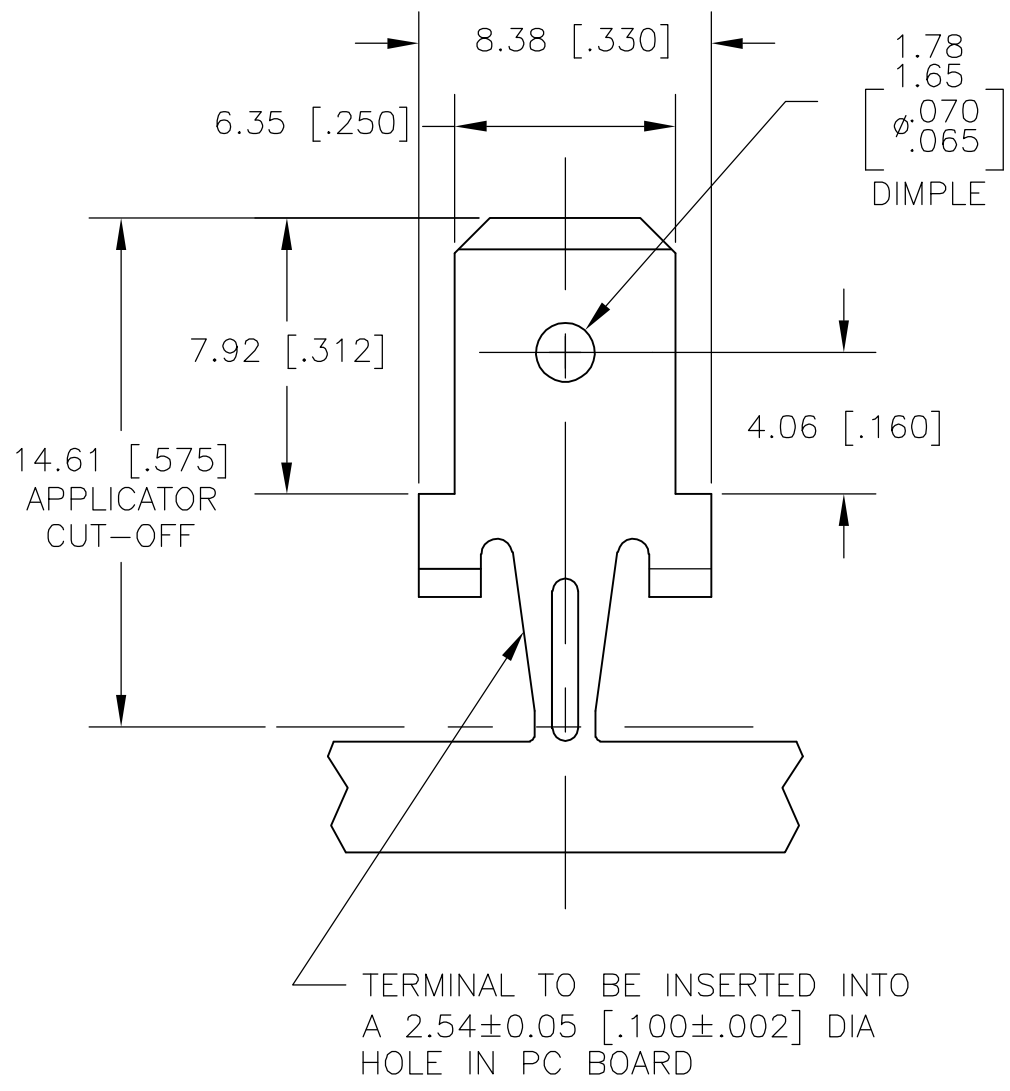


LOC	DIST	REVISIONS					
AF	50	P	LTR	DESCRIPTION	DATE	DWN	APVD
			K	REV PER ECR-05-017407	14APR06	HMR	KR



TERMINAL INSERTED AND CLINCHED IN PC BOARD

63067-1	63066-1
L.P. P/N	PART NO.

THIS DRAWING IS A CONTROLLED DOCUMENT.		DWN	JR RUTH	20FEB01	 Tyco Electronics Corporation Harrisburg, PA 17105-3608
DIMENSIONS: mm [INCHES]		CHK	MS FEHER	20FEB01	
TOLERANCES UNLESS OTHERWISE SPECIFIED:		APVD	N DEIBERT	20FEB01	
0 PLC ± - 1 PLC ± - 2 PLC ± 0.38 [.015] 3 PLC ± - 4 PLC ± - ANGLES ± -		PRODUCT SPEC	NAME		
MATERIAL	082 BRASS	FINISH	3		TAB, FASTON, PC BOARD 6.35 [.250] SERIES
WEIGHT		-		SIZE	A3
CUSTOMER DRAWING		CAGE CODE		DRAWING NO	00779
SCALE		5:1		RESTRICTED TO	-
SHEET		1 OF 1		REV	K